

## INSTALLATION MANUAL INDOOR MILLWORK

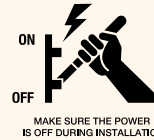
### INDEX

- A:** SINGLE UNIT INSTALLATION
- B:** CONTINUOUS INSTALLATION
- C:** WIRING DETAILS

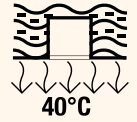


**WARNING:**

The safety and warranty of this fixture is guaranteed only if installed in compliance with below instruction manual.

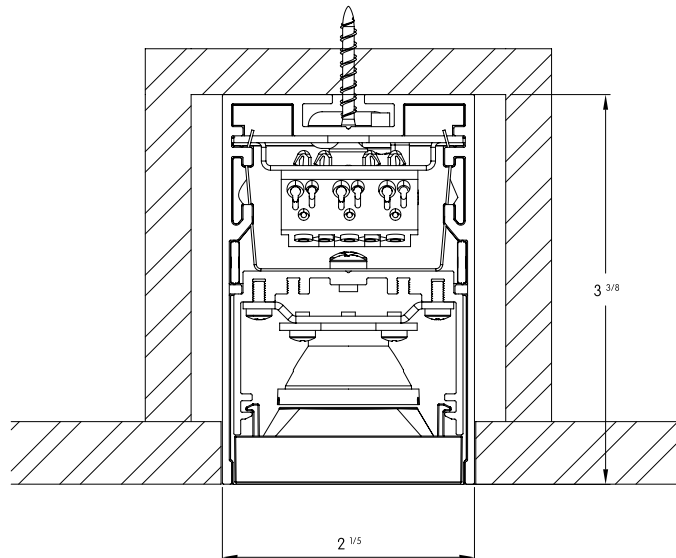


**IP20**



THE LOW SURFACE TEMPERATURE (40°C) IMPOSE NO LIMITS ON INSTALLATION

### A. SINGLE UNIT INSTALLATION

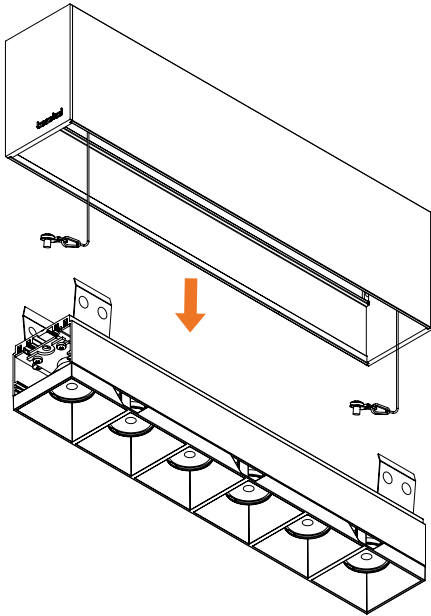


Prepare the ceiling conditions according to the factory shop drawings.

	12"		24"		36"		48"		60"					
	Height		Width		Actual Length		Actual Length		Actual Length		Actual Length			
	mm	inch	mm	inch	mm	inch	mm	inch	mm	inch	mm	inch		
Honeycomb Integral	85	3 3/8	55	2 1/5	308	12 1/8	608	24	908	35 3/4	1208	47 4/7	1508	59 3/8
Honeycomb Remote	65	2 5/8	55	2 1/5	313	12 1/5	613	24 1/8	913	36	1213	47 3/4	1513	59 4/7
Opal Integral	85	3 3/8	55	2 1/5	308	12 1/8	608	24	908	35 3/4	1208	47 4/7	1508	59 3/8
Opal Remote	65	2 5/8	55	2 1/5	313	12 1/5	613	24 1/8	913	36	1213	47 3/4	1513	59 4/7
Symmetrical Baffles Integral	85	3 3/8	55	2 1/5	308	12 1/8	608	24	908	35 3/4	1208	47 4/7	1508	59 3/8
Symmetrical Baffles Remote	65	2 5/8	55	2 1/5	313	12 1/5	613	24 1/8	913	36	1213	47 3/4	1513	59 4/7
Wallwash Graze Integral	85	3 3/8	55	2 1/5	308	12 1/8	608	24	908	35 3/4	1208	47 4/7	1508	59 3/8
Wallwash Graze Remote	65	2 5/8	55	2 1/5	313	12 1/5	613	24 1/8	913	36	1213	47 3/4	1513	59 4/7

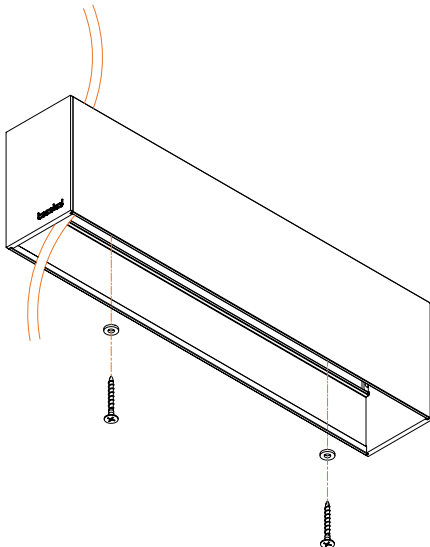
1.

- ▶ Unclip reflector assembly from main profile.
- ▶ Remove safety cables.

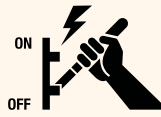


2.

- ▶ Insert the main electrical cable into the profile.
- ▶ Screw the profile into place using the washer and screws compatible with mounting surface.
- ▶ Connect the main electric feed to the pushwire terminal.

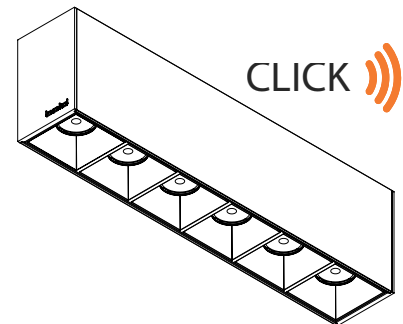
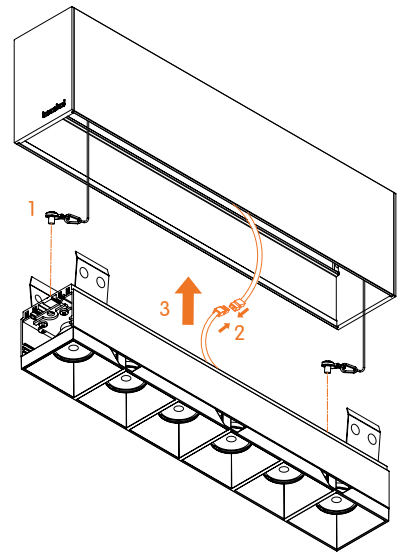


**WARNING:** Shock hazard. Serious injury or death may occur. Turn Off power before servicing or installing. Wire according to local and national codes. This product shall be installed by a qualified electrician.



3.

- ▶ Re-attach safety cables.
- ▶ Connect the low voltage quick connects from the driver.
- ▶ Insert the reflector assembly into the main profile until it clicks.

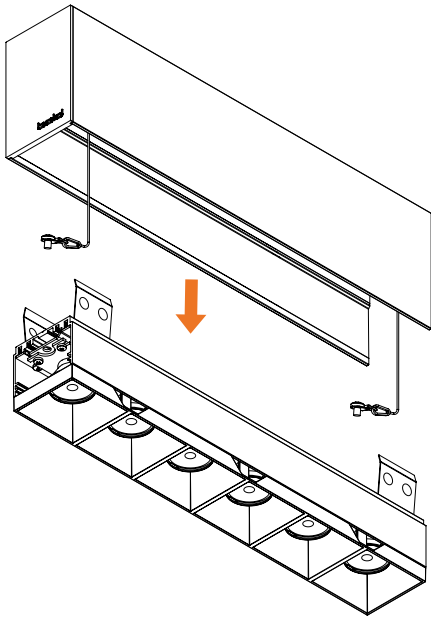


**WARNING:** Failure to secure safety cables can lead to injury or death!

## B. CONTINUOUS RUN INSTALLATION

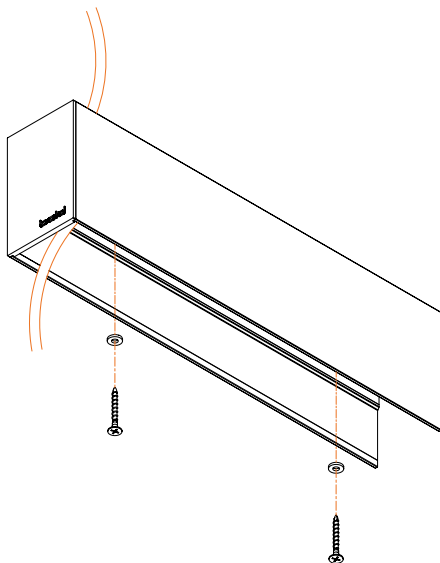
1.

- ▶ Unclip reflector assembly from main profile.
- ▶ Remove safety cables.



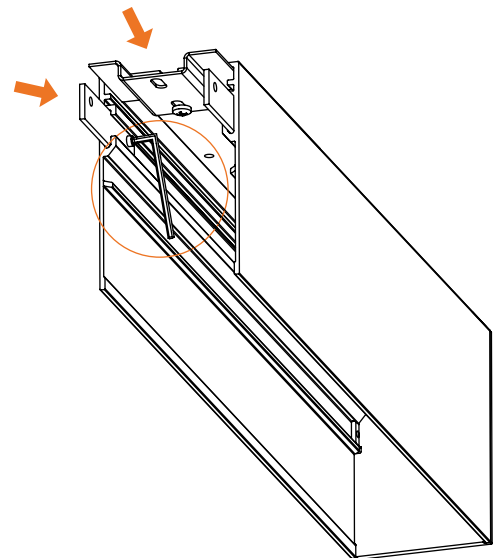
2.

- ▶ Insert the main electrical cable into the profile.
- ▶ Screw the profile into place using the washer and screws compatible with mounting surface.
- ▶ Connect the main electric feed to the pushwire terminal.

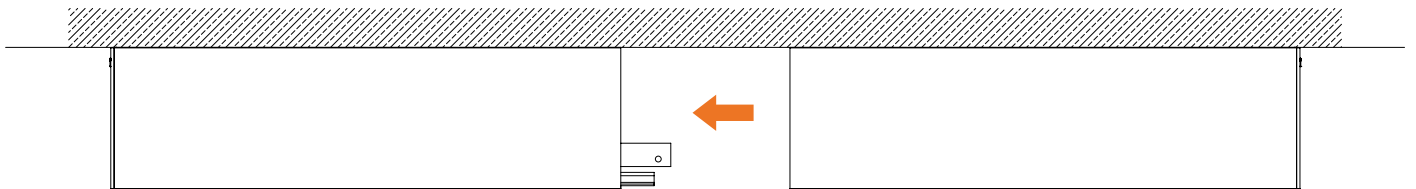


3.

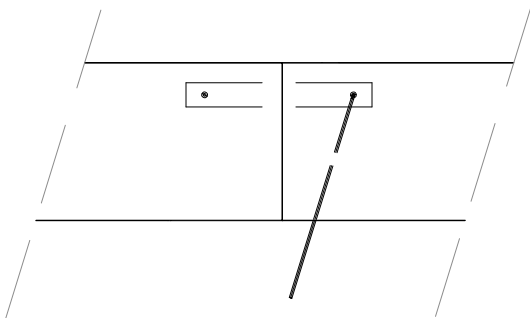
- ▶ Slide in alignment brackets halfway into the profile and tighten them using an allen key and provided headless screws.



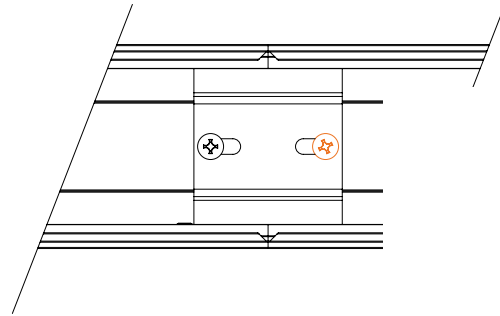
## 4. ▶ Insert the next fixture into the alignment brackets.



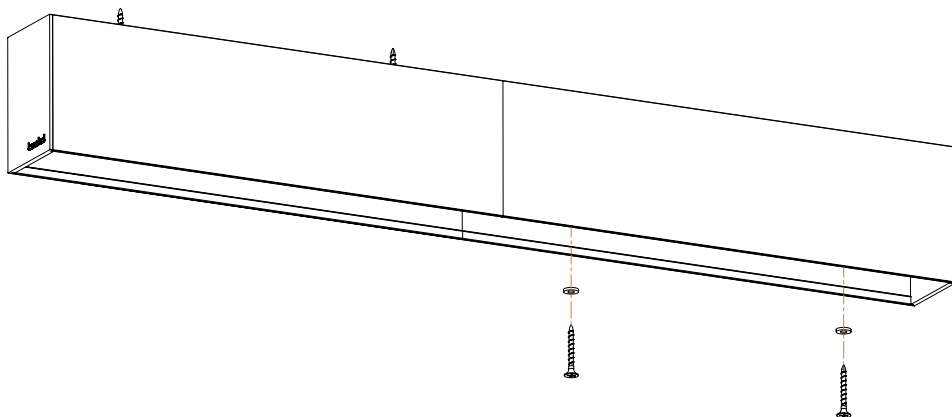
▶ Tighten the alignment bracket using the allen key and provided headless screws on inserted profile.

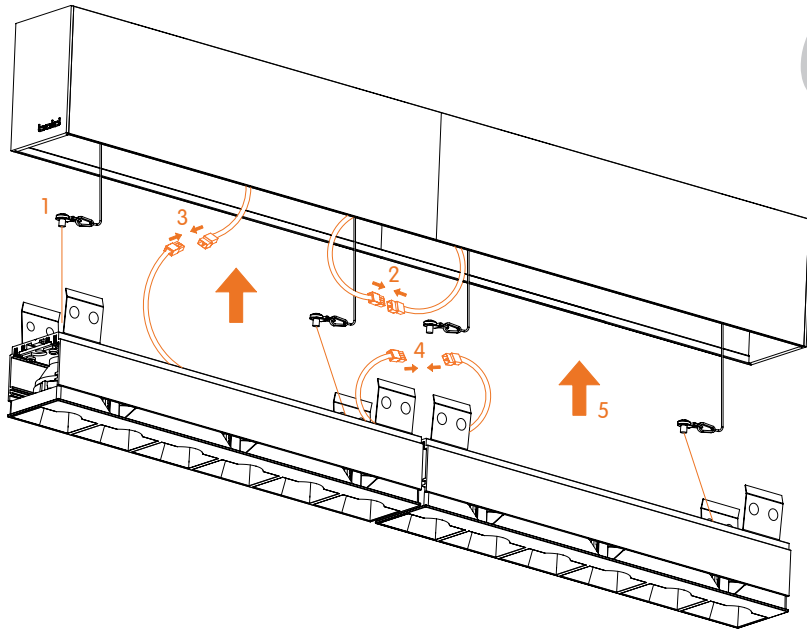


▶ Tighten the screws of the second alignment bracket.



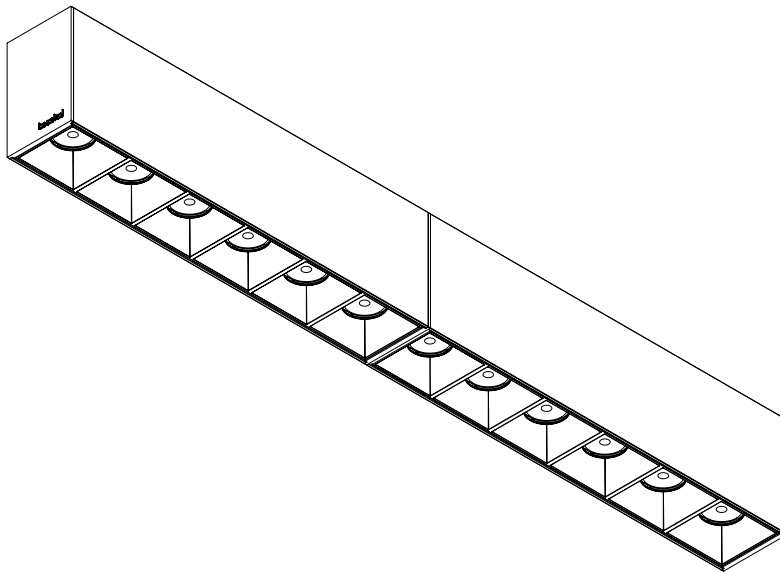
## 5. ▶ Fix the second fixture to the surface using the specified screws and washers.





## 6.

- ▶ 1- Re-attach safety cables.
- ▶ 2- Connect the mains voltage through wiring cables as shown on pages 6-8.
- ▶ 3- Connect the low voltages quick connects from the driver.
- ▶ 4- Interconnect led modules together using the low voltage quick-connects.
- ▶ Refer to the factory shop drawings for final run lengths.
- ▶ 5- Insert reflector assembly into main profile until it clicks.



CLICK

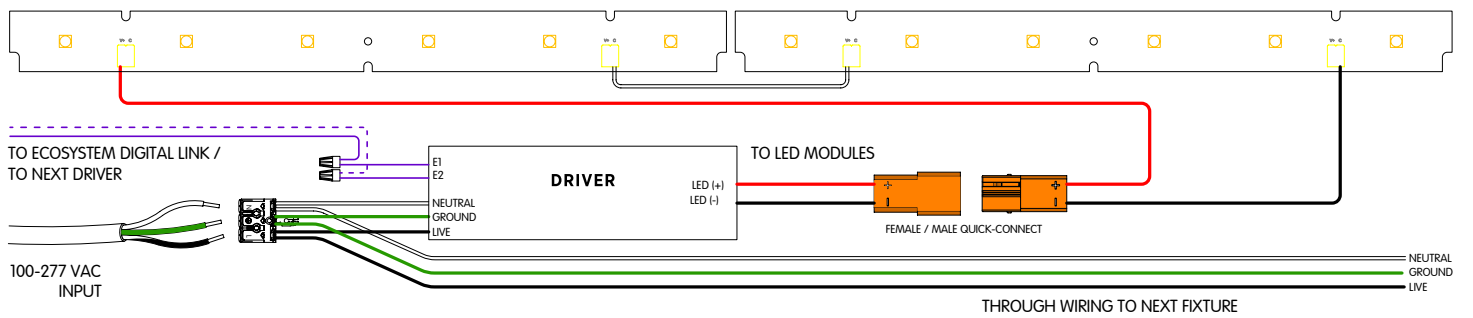


**WARNING:** Do not exceed the rated wattage of the through wiring cables or the connectors.  
For all continuous runs, refer to factory shop drawing indicating exact dimensions and feed locations.

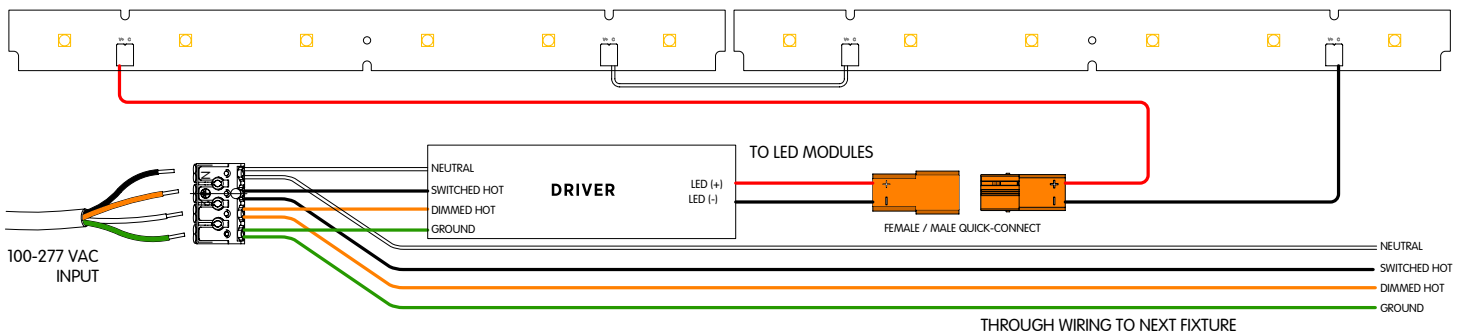
## C. WIRING DETAILS

### ► Monochromatic White

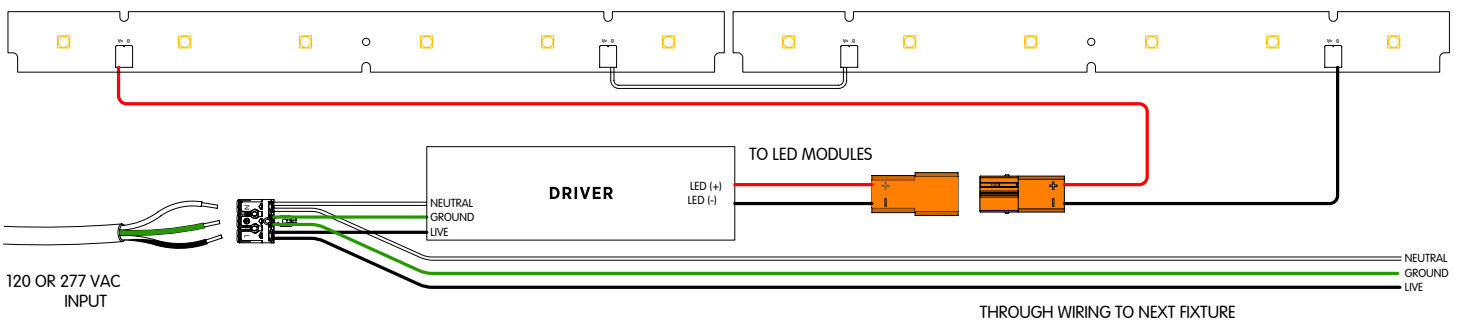
LUTRON ECOSYSTEM WIRING DIAGRAM



LUTRON 3 WIRE WIRING DIAGRAM

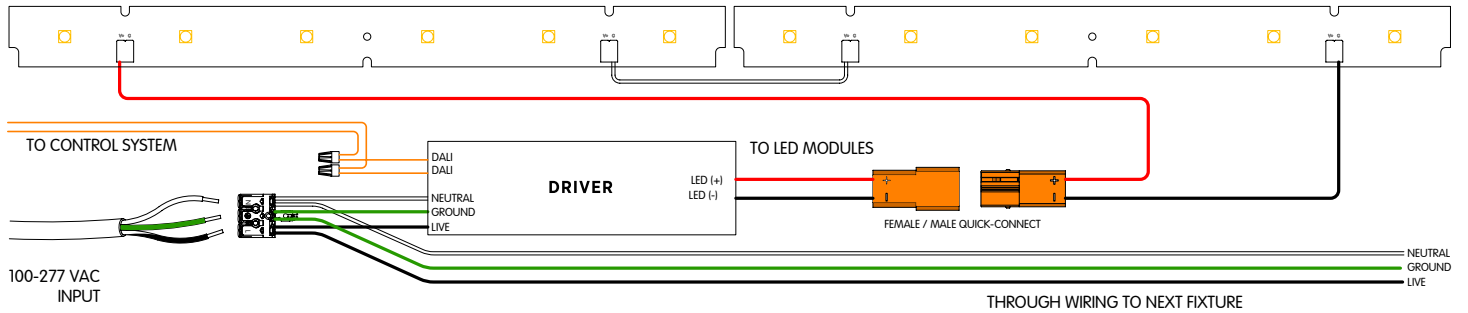


ELV / LUTRON 2 WIRE DIM / NON DIM WIRING DIAGRAM

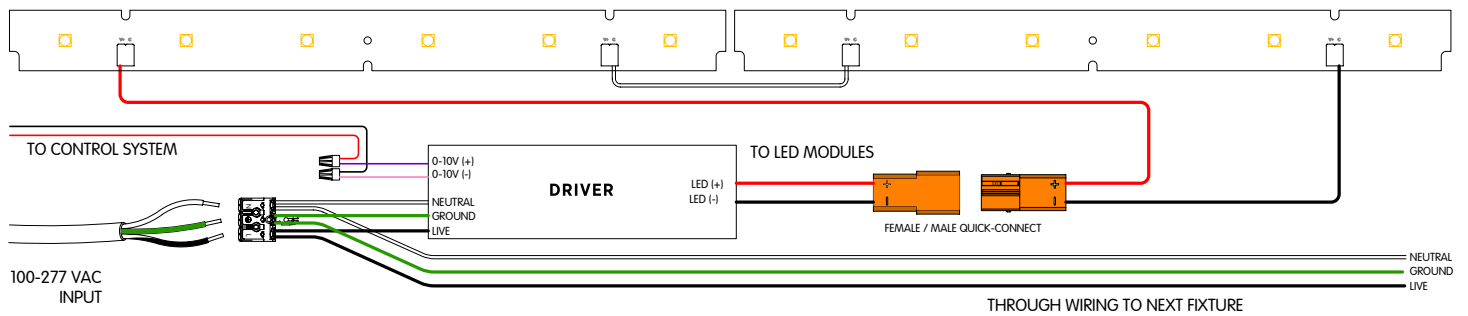


► Monochromatic White

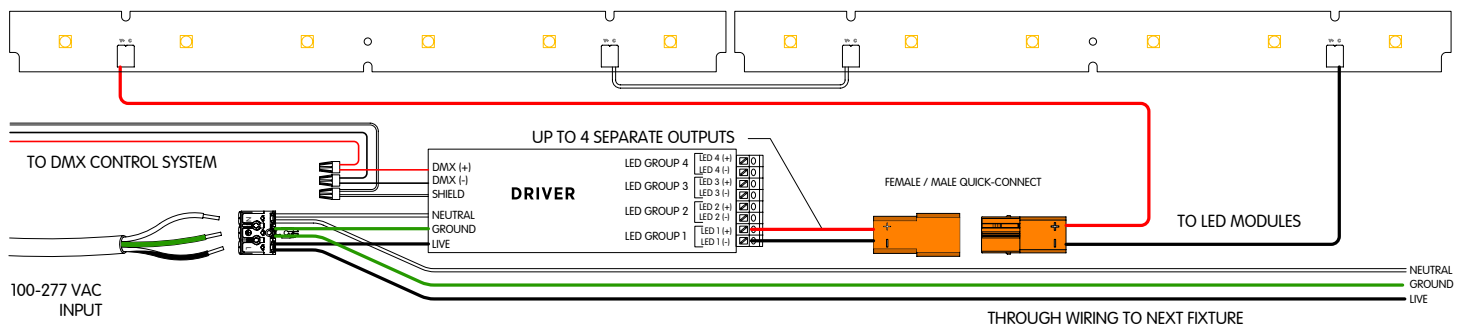
**DALI WIRING DIAGRAM**



**0-10V WIRING DIAGRAM**

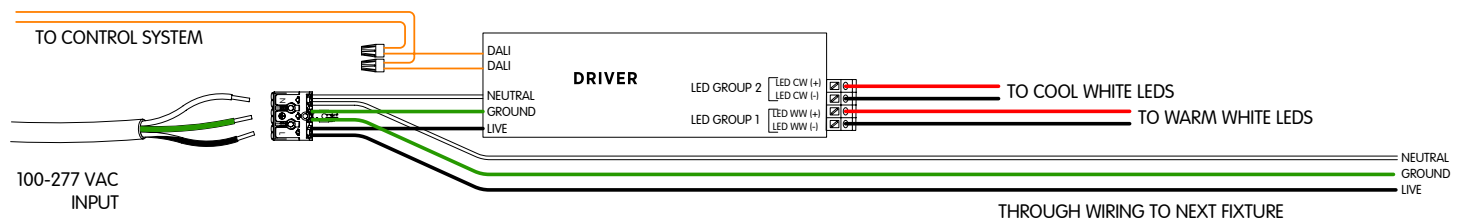


**DMX WIRING DIAGRAM**

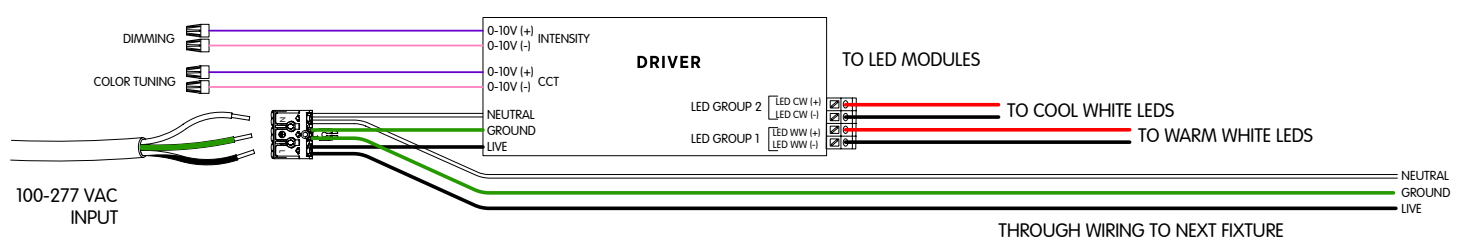


▶ Tunable White

**2 CHANNELS DALI WIRING DIAGRAM**



**2 CHANNELS 0-10V WIRING DIAGRAM**



**⚠ Failure to follow the wiring color coding and connectors pin labeling will void the fixtures warranty.**